

The field of infusion therapy implies the treatment of a patient with intravenously applied infusion solutions in order to enable a patient's recovery or improvement of his illness. Depending on the underlying illness, the solution contains an appropriate active pharmaceutical ingredient.

This defines the type of definitive therapy: For example, fluid therapy aims to infuse larger volumes of water and appropriate electrolytes to patients for treatment of volume depletion such as major bleeding, dehydration or shock. Another example might be anti-infective therapy which means the treatment of a patient suffering from an infection with bacteria or fungi by infusing solutions containing antibiotics and antifungals.



Plastrue Co. LTD

Almashael, Istanbul Str.

Alfozan Industrial Zone, Block 24. #157

Riyadh 14328 Saudi Arabia

[www.plastrue.com](http://www.plastrue.com)

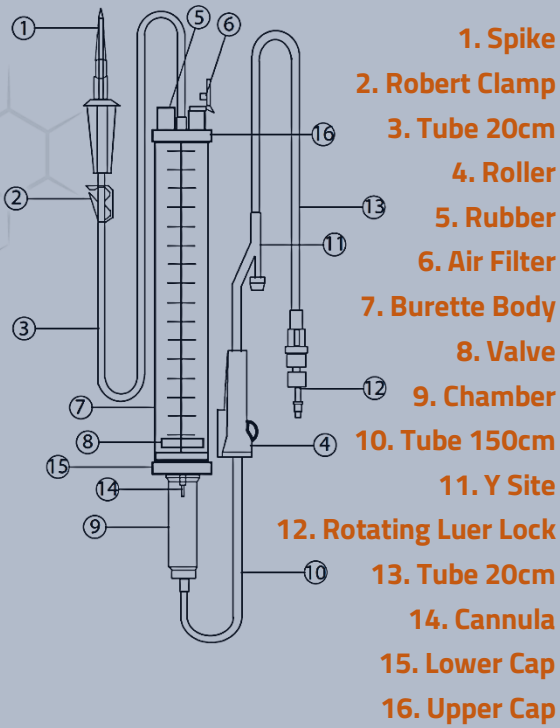
A close-up photograph of a Drippo infusion pump. It is a clear plastic cylindrical device with a white top cap and a blue adjustment knob. The pump is partially filled with clear liquid and is mounted on a stand. The background is a blurred green and blue.

**Drippo** Infusion Pump

Compatible products

## Micro Drip Burette

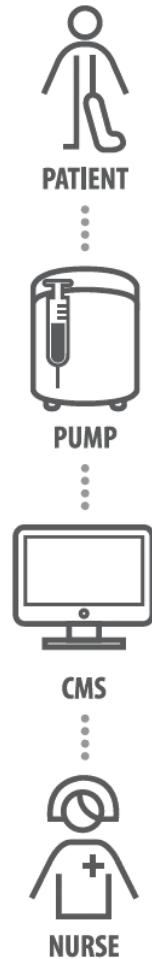
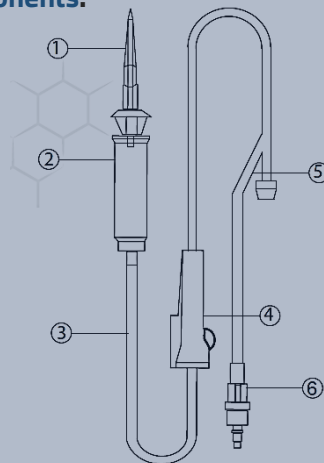
### Elements & Components:



## IV Set with Y Site 170cm

### Elements & Components:

- 1. Spike
- 2. Chamber
- 3. Tube 170cm
- 4. Roller
- 5. Y Site
- 6. Male Luer Lock



Plastrue is capable to interfere in the treatment by providing tubing for Single & Dual Channel Pumps

Tubing elasticity and diameter can be adjusted to meet pump manufacturer standards.

With or without silicone tubing



### Benefits:

**Realtime:** Simultaneous monitoring of up to 30 unit

**Efficiency:** Enhance the pump usage knowing their current status

**Monitoring:** Wireless connection allows for remote monitoring and control

[www.plastrue.com](http://www.plastrue.com)



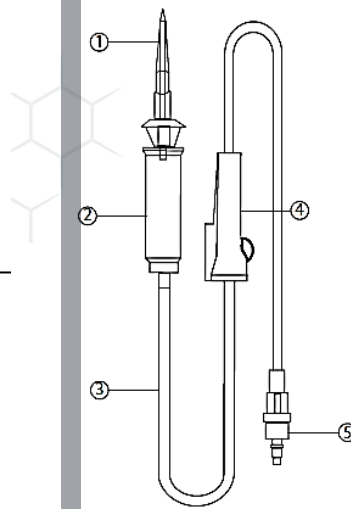
# Dripo

IV SETS

### IV Set 170cm

#### Elements & Components:

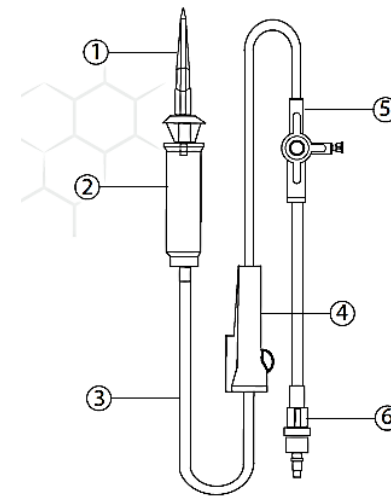
1. Spike
2. Chamber
3. Tube 170cm
4. Roller
5. Male Luer Lock



### IV Set with 3-way Stopcock 170cm

#### Elements & Components:

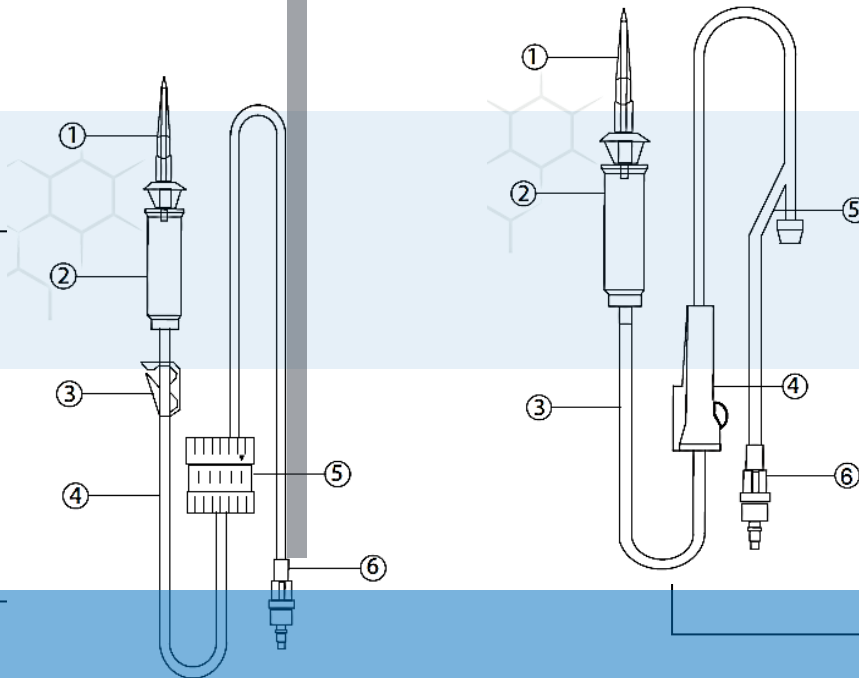
1. Spike
2. Chamber
3. Tube 170cm
4. Roller
5. 3-way stopcock
6. Male Luer Lock



### IV Set with Dial Flow 170cm

#### Elements & Components:

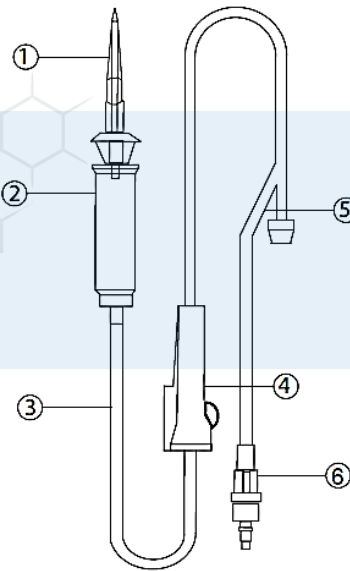
1. Spike
2. Chamber
3. Robert Clamp
4. Tube 170cm
5. Dial Flow
6. Male Luer Lock



### IV Set with Y Site 170cm

#### Elements & Components:

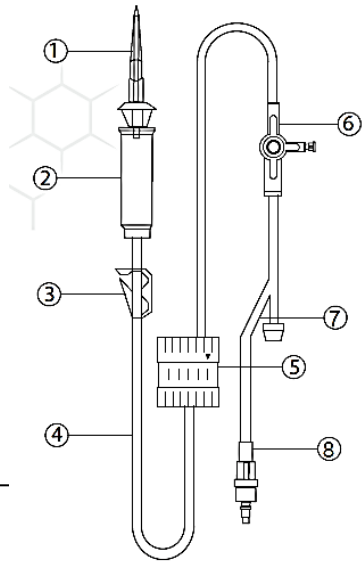
1. Spike
2. Chamber
3. Tube 170cm
4. Roller
5. Y Site
6. Male Luer Lock



**IV Set with Y Site + Dial Flow+  
3 Way Stopcock 170cm**

**Elements & Components:**

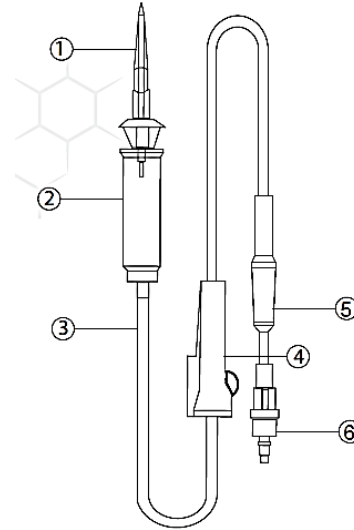
1. Spike
2. Chamber
3. Robert Clamp
4. Tube 170cm
5. Dial Flow
6. 3-way stopcock
7. Y site
8. Male Luer Lock



**IV Set with Flashback 170cm**

**Elements & Components:**

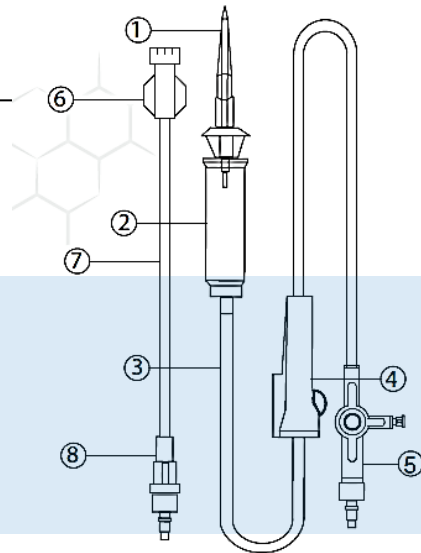
1. Spike
2. Chamber
3. Tube 170cm
4. Roller
5. Flashback
6. Male Luer Lock



**IV Set with 3 Way Stopcock  
170cm + Extension 100cm**

**Elements & Components:**

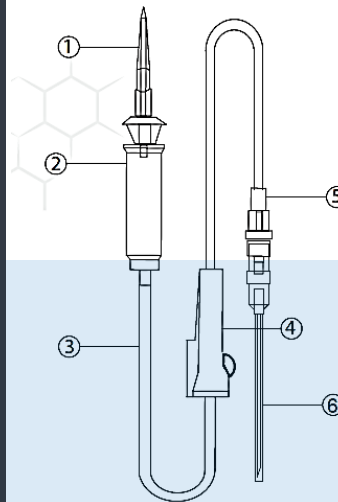
1. Spike
2. Chamber
3. Tube 170cm
4. Roller
5. 3-way stopcock
6. Female Luer Lock
7. Tube 100cm
8. Male Luer Lock



**IV Set with Needle 170cm**

**Elements & Components:**

1. Spike
2. Chamber
3. Tube 170cm
4. Roller
5. Male Luer Lock
6. Needle







[www.plastrue.com](http://www.plastrue.com)

# Cubo

## Transfusion SETS

Plastrue Co. LTD  
Almashael, Istanbul Str.  
Alfozan Industrial Zone, Block 24. #157  
Riyadh 14328 Saudi Arabia

A blood transfusion may be needed if there is a shortage of red blood cells.

This may be because the body's not making enough red blood cells or because it has lost blood.

For example, blood transfusions needed if there is a condition that affects the way red blood cells work – such as sickle cell disease or thalassaemia

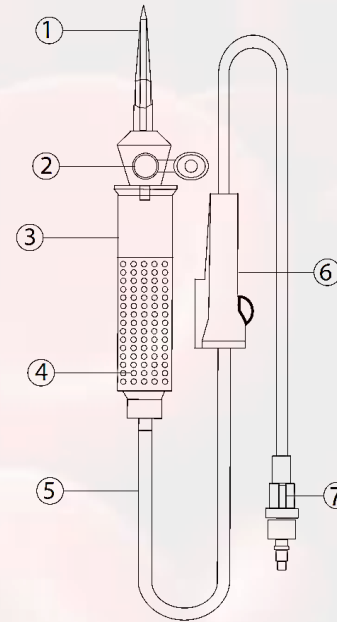
a type of cancer or cancer treatment that can affect blood cells – including leukaemia, chemotherapy or stem cell transplants

severe bleeding – usually from surgery, childbirth or a serious accident

A blood transfusion can replace blood has been lost, or just replace the liquid or cells found in blood (such as red blood cells, plasma or cells called platelets).

### Elements & Components:

1. Vented Spike
2. Air Filter
3. Chamber
4. Filter
5. Tube 170cm or a customized length
6. Roller
7. Male Luer Lock



Item	Ordering information
Blood Transfusion Set	C111



[www.plastrue.com](http://www.plastrue.com)



# Dripo

## IV Extensions

Plastrue Co. LTD  
Almashael, Istanbul Str.  
Alfozan Industrial Zone, Block 24. #157  
Riyadh 14328 Saudi Arabia

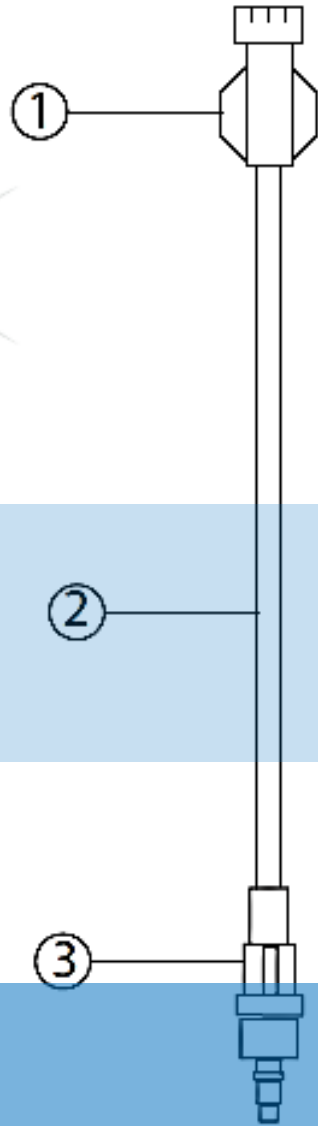




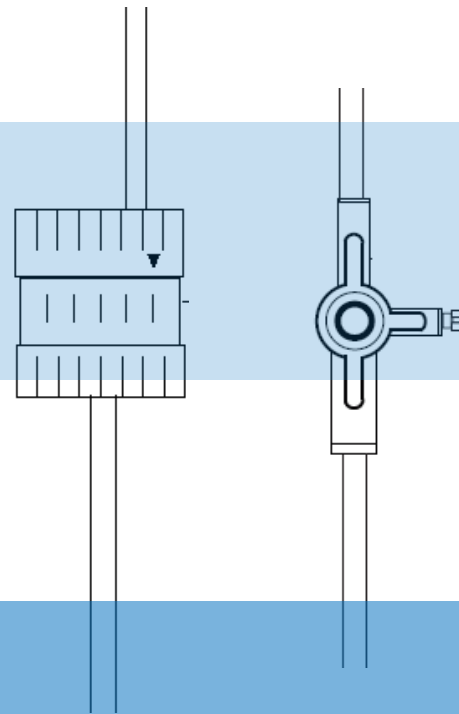
# IV Extension Set

## Elements & Components:

1. Female Luer Lock
2. Tube
3. Male Luer Lock



Item	Ordering information
Extension 30cm	D140
Extension 50cm	D141
Extension 100cm	D142
Extension 150cm	D143
Extension 50cm with Y site and regulator	D144
IV Extension (30cm) with 3 Way Stopcock	D145
IV Extension (15cm) with 3 Way Stopcock and Y site	D146
IV Extension (40cm) with Y site and Dial flow regulator	D147
Extension 50cm with regulator and stopcock	D148



[www.plastrue.com](http://www.plastrue.com)



**Plastrue Co. LTD**  
**Almashael, Istanbul Str.**  
**Alfozan Industrial Zone, Block**  
**24. #157**  
**Riyadh 14328**  
**Saudi Arabia**

# Pecto

## Respiratory



# Oxygen Mask

## Elements & Components:

1. Exhalation Ports
2. Inhalation Port
3. Head Strap
4. Tube Connector
5. 2m Tube
6. Nebulizer

Item	Ordering information
Oxygen Mask Adult	P104
Oxygen Mask Child	P105
Oxygen Mask Nebulizer Adult	P131
Oxygen Mask Nebulizer Child	P132





# Nasal Cannula

## Elements & Components:

1. Enhanced Reservoir Face Piece
2. Clear Three Channel Safety Tubing
3. Cylindrical Slide wrap
4. 2m Tube
5. Tube Connector

Item	Ordering information
Nasal cannula adult	P101
Nasal cannula child	P102
Nasal cannula neonate	P103





VESSTO

Suction Solutions





- Rigid, transparent suction Handle
- Suction connection tubing in 2 and 3 meter lengths with an I.D of 6mm.
- For general purpose surgical suction.
- Sterile, individual double wrapped peel pouches

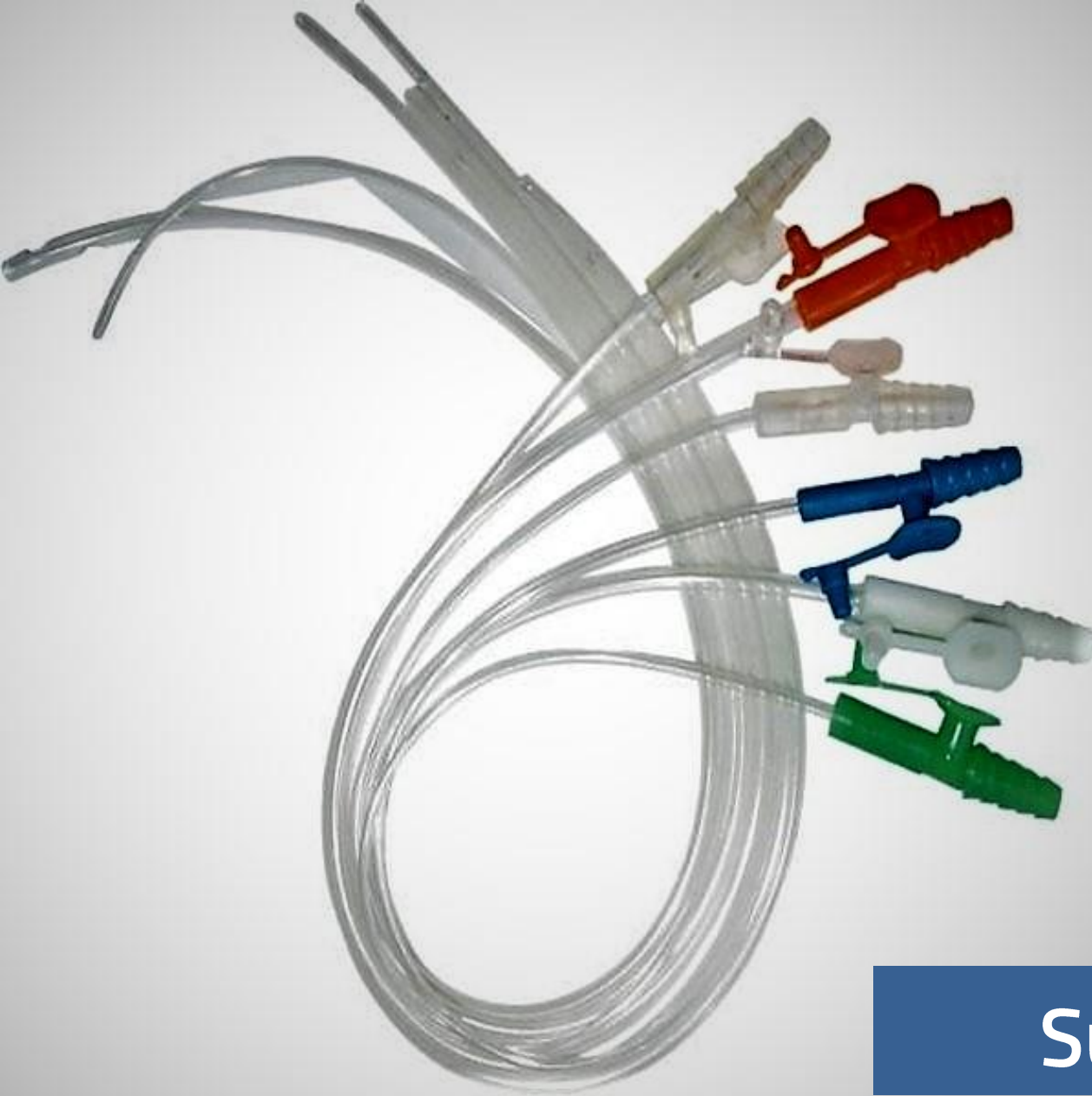
## Yankauer Handle with Suction Tube

### Ordering Information

Yankauer suction Handle with 2m	V201
Yankauer suction Handle with 3m	V202

**PLASTRUE**





## Suction Catheter

Tubing for bronchial suction with beveled, Atraumatic tip

- With one central and two side eyes, or with no side holes
- Standard or Thumb control connector
- Color coded
- Suitable for aspirating mucous from the tracheobronchial tract
- Medical grade PVC



Ordering Information		
Size (FG)	With thumb control	Plain
6	V301	V401
8	V302	V402
10	V303	V403
12	V304	V404
14	V305	V405
16	V306	V406
18	V307	V407



## Suction Tube Roll

- Single-use connecting tubes in medical grade PVC
- Clear PVC allowing visual examination
- Low memory preventing kinking

### Ordering Information

SOFT SUCTION TUBE 50 meter	V101
SOFT SUCTION TUBE 30 meter	V102

**Plastrue Co. LTD**

**ALMASHAEL, ISTANBUL Str.  
ALFOZAN Industrial Zone, Block 24. #157  
Riyadh 14328 Saudi Arabia**

**[www.plastrue.com](http://www.plastrue.com)**

