



[www.plastrue.com](http://www.plastrue.com)

# Cubo

## Transfusion SETS

Plastrue Co. LTD  
Almashael, Istanbul Str.  
Alfozan Industrial Zone, Block 24. #157  
Riyadh 14328 Saudi Arabia

A blood transfusion may be needed if there is a shortage of red blood cells.

This may be because the body's not making enough red blood cells or because it has lost blood.

For example, blood transfusions needed if there is a condition that affects the way red blood cells work – such as sickle cell disease or thalassaemia

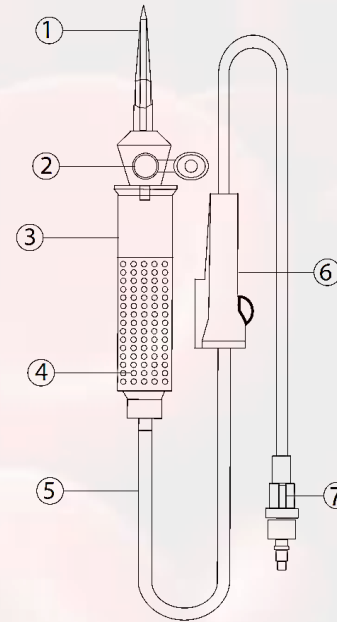
a type of cancer or cancer treatment that can affect blood cells – including leukaemia, chemotherapy or stem cell transplants

severe bleeding – usually from surgery, childbirth or a serious accident

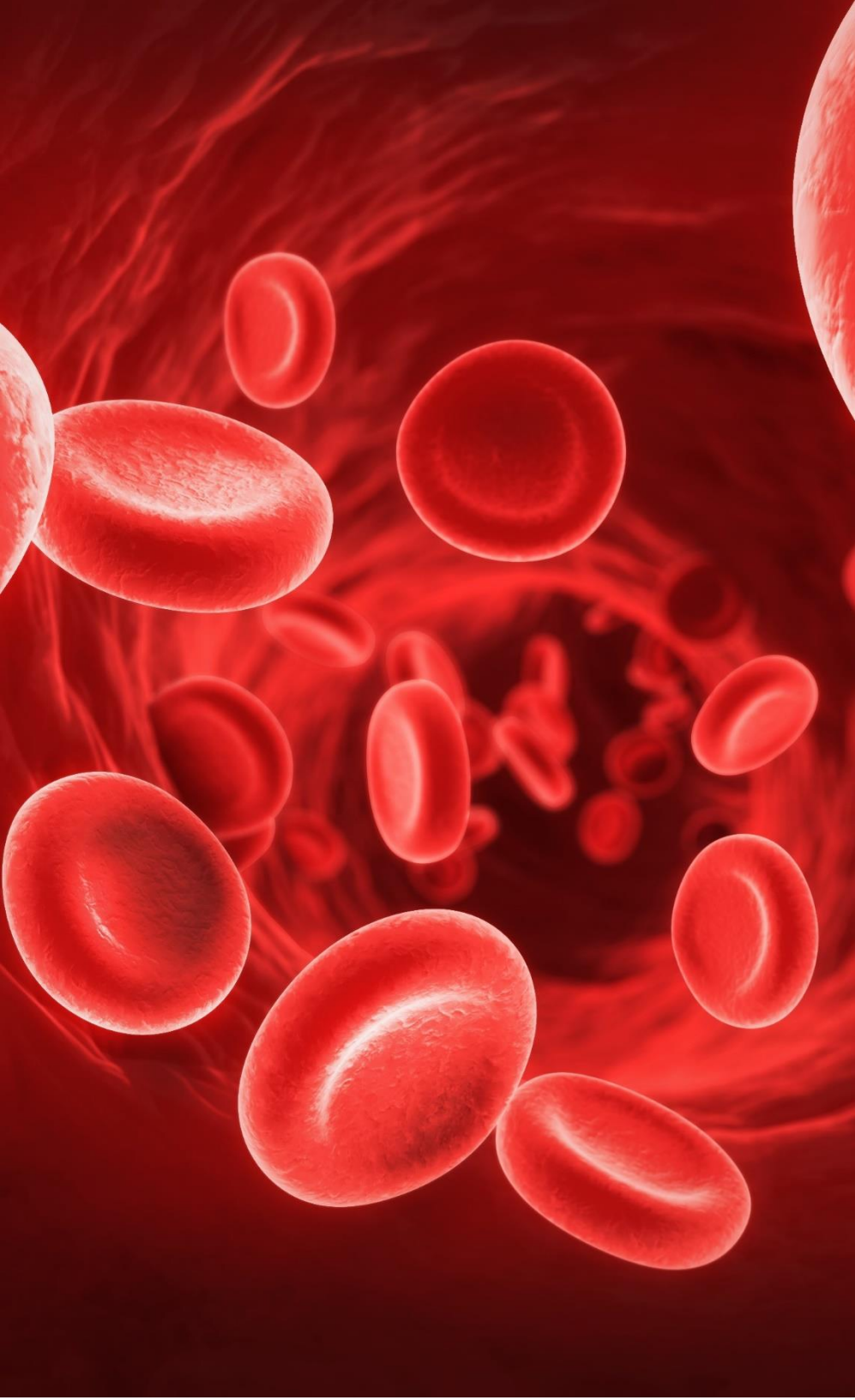
A blood transfusion can replace blood has been lost, or just replace the liquid or cells found in blood (such as red blood cells, plasma or cells called platelets).

### Elements & Components:

1. Vented Spike
2. Air Filter
3. Chamber
4. Filter
5. Tube 170cm or a customized length
6. Roller
7. Male Luer Lock



Item	Ordering information
Blood Transfusion Set	C111



**Plastrue Co. LTD**

**ALMASHAEL, ISTANBUL Str.  
ALFOZAN Industrial Zone, Block 24. #157  
Riyadh 14328 Saudi Arabia**

[www.plastrue.com](http://www.plastrue.com)

